

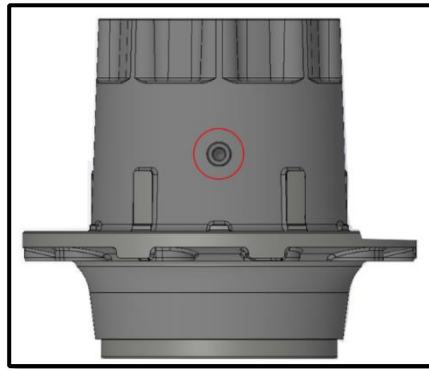


## 2723 Disc Wheel Hub Update

The purpose of this bulletin is to notify customers of the recent changes to Webb's 2723-disc wheel hub. These changes are outlined below and will become effective immediately. If you have any questions about these changes, please contact Webb's Engineering department via email to [engineering@webbwheel.com](mailto:engineering@webbwheel.com) or call 800-633-3256.

### Oil Fill Plug

Webb Wheel's 2723-disc wheel hub will now be supplied with an oil fill plug to improve the hub's serviceability for customers that choose to lubricate their wheel end with oil lubricant. The oil fill plug will come installed and torqued to Webb's recommended specifications. All other aspects of the 2723 hub will remain the same and the addition of this feature will not affect the fit, form, or function of the hub. Furthermore, the hub will maintain its 13,000-lb. dynamic hub rating (26,000 lb. GAWR Rating). The image below shows a 2723-disc wheel hub with an oil fill plug installed.



### Part Number Change

All 2723 hub assemblies will now have a -71 suffix added to the end of the part number. This suffix indicates that an oil fill plug has been installed and torqued to Webb's recommended specifications. The part numbers listed below in the "current part number" column have been discontinued so please update your records to begin ordering the 2723 hub assemblies by the new part number.

<b>Current Part Number (Discontinued)</b>	<b>New Part Number</b>
27231--0T	27231--0T-71
27231--3T	27231--3T-71